

PSR/PSRT series Precision Rolled Ball Screws

High accuracy(JIS C5) has been achieved by Rolled Ball Screw. We provide Rolled Ball Screws with high precision & better cost performance, which can be replaced with conventional Ground Ball Screw with C5 grade.

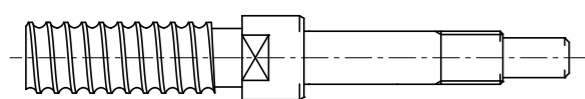
●Features

- The conventional type of Rolled Ball Screws can reach the Accuracy grade of Ct10 or Ct7. KSS newly developed the high grade accuracy of Rolled Ball Screw, which can achieve JIS C5 grade.
- We have 2 types of Precision Rolled Ball Screws, which are Integrated type with larger journal and whole threaded type. So it provides wide variety of design choices.
- For Integrated end-journal type, Fixed side end-journal can be set larger than nominal diameter of Screw Shaft, so there is no need to use Collar by press fit.
- Fixed side End-journal profile and dimension are standardized, so KSS Compact Support-Unit can be installed.
- Since supported-side end-journal is unfinished, it is possible to do additional end machining with your requested thread length.
- Special end-journal profile can be available as customized order.
- Whole threaded type is a high cost performance type and end-journal machining is available in accordance with your request.
- The Axial play is set at 5um or less, but Zero backlash is possible based on your request.

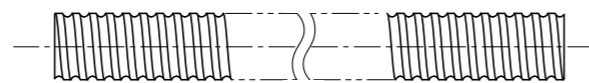
●Variation

We have 2 types of Precision Rolled Ball Screws, which are Integrated type with larger journal(PSRT) and whole threaded length type(PSR).

[Integrated journal type]



[whole threaded type]



●Combination of Shaft nominal dia. & Lead

Unit:mm

Lead \ Shaft dia.	1	2	12
4	A323 A325 A324 A326		
6	A327 A329 A328 A330		
8	A331 A333 A332 A334	A335 A337 A336 A338	A339 A340
10		A341 A342	
12		A343 A344	

Note 1)The numbers in a table :showing a page in this catalogue

●Accuracy Grade & Axial play

The grade of PSR/PSRT series(Standardized Precision Rolled Ball Screws) is C5(JIS B 1192-3). Axial play of this series is 0.005mm or less, but zero backlash(pre-load) type is available by your request.

●Material & Surface hardness

The material and hardness of PSR/PSRT series (Standardized Precision Rolled Ball Screws) are as follows.

Products	Material of thread area	Heat treatment	Surface hardness
Precision Rolled Ball Screws (PSR series)	Shaft : S55C	Induction hardening	HRC58 or more
	Nut : SCM415	Carburizing and Quenching	
Precision Rolled Ball Screws with Integrated end-journal (PSRT series)	Shaft : S55C	Induction hardening	HRC58 or more
	Nut : SCM415	Carburizing and Quenching	

●Lubrication

Standardized Precision Rolled Ball Screws whole threaded length type(PSR Series) will be supplied with anti-rust oil.This oil is not lubricant, when Ball Screw operates, lubricant should be applied. If there is no specific instruction, KSS would recommend our original grease(MSG No.2) as standard lubricant. Please feel free to contact us.

●Others

PSR/PSRT series(Standardized Precision Rolled Ball Screws) provide 3 types of Ball Nut profile. Return-plate style and End-cap style are our standard. In addition Internal-Deflector style as Compact Ball Nut is also in stock. So you can pick one of them based on your design.

Model number notation

[Integrated journal type]

In case of PSRT type(Integrated journal type), please designate length, end-journal profile, lubricant and Nut direction according to the Model number notation below.

PSRT 08 01 K — 155 R 204 C5 B 0 X

① ② ③ ④ — ⑤ ⑥ ⑦ ⑧ ⑨ ⑩ ⑪

- ① Precision Rolled Ball Screws Series No.
PSRT : Integrated journal type
- ② Screw Shaft nominal diameter(mm)
- ③ Lead(mm)
- ④ Ball Nut type
None : Standard
K : Compact type
- ⑤ Screw thread length(mm)
(Specify in 1mm unit after end-journal machining)
- ⑥ Thread direction(R=Right-hand)
- ⑦ Screw Shaft total length(mm)
(Specify in 1mm unit)
- ⑧ Accuracy grade(JIS C5)
- ⑨ Shaft end-journal profile
Refer to Fig. A-26 below : A-type,B-type,C-type,
D-type(Othes)
- ⑩ Anti-rust oil or Lubricant
0 : KSS grease(MSG No.2)
1 : Anti-rust oil(Non Ruster PZ2)
2 : Multemp PS2 grease
3 : Other
- ⑪ Nut Flange direction(Refer to Fig. A-27 below)

Fig. A-26 : Shaft end-journal profile

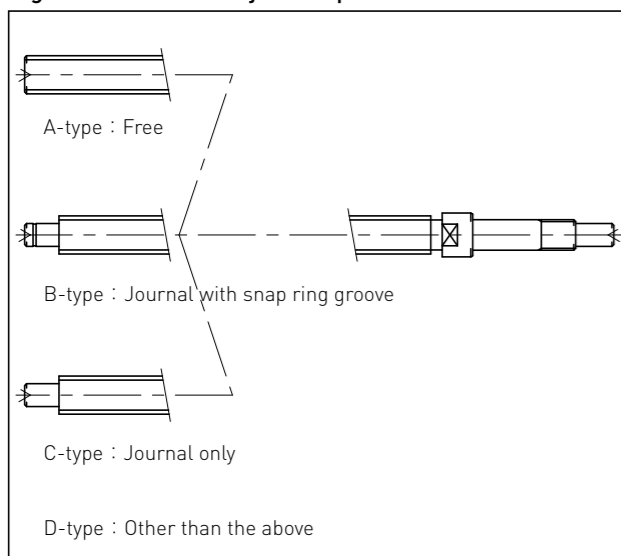
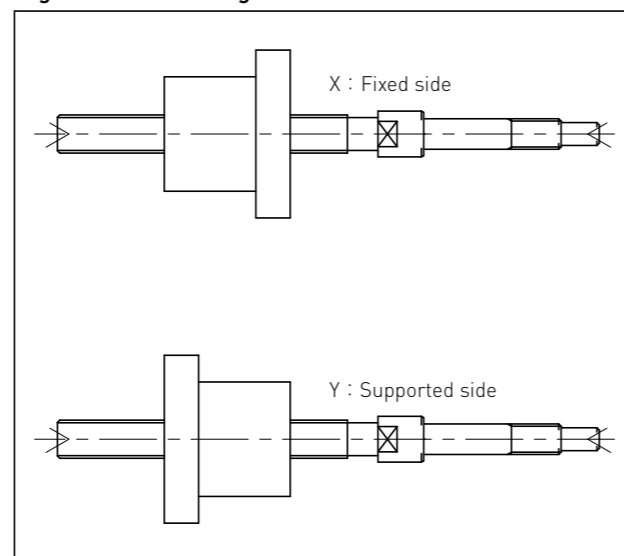


Fig. A-27 : Nut Flange direction



Note

- 1) The detail of end-journal dimension for each size is shown from next page.
- 2) KSS does not make additional Nut machining.
- 3) The specification is subject to change without notice.
- 4) If the other configuration except (A,B,C) is requested, please contact KSS.
- 5) KSS will not be responsible for quality, in case re-work is done by other than KSS.

[Whole threaded type]

Model number notation of PSR type(whole threaded type) is as follows. Please designate end-journal profile with your simple sketch.

PSR 08 01 K — 230 R 230 C5

① ② ③ ④ — ⑤ ⑥ ⑦ ⑧

- ① Precision Rolled Ball Screws Series No.
PSR : Whole threaded type
- ② Screw Shaft nominal diameter(mm)
- ③ Lead(mm)
- ④ Ball Nut type
None : Standard
K : Compact type
- ⑤ Screw thread length(mm)
(Specify in 1mm unit after end-journal machining)
- ⑥ Thread direction(R=Right-hand)
- ⑦ Screw Shaft total length(mm)
(Specify in 1mm unit)
- ⑧ Accuracy grade(Class JIS C5)

Customized Design

It will be the customized if you need special specifications like below, please ask KSS representative.

- 1) Non-standard profile or dimension on Shaft end-journal.
- 2) Non-standard profile or dimension on Ball Nut or Flange.
- 3) Zero backlash (Pre-loaded) type Ball Screw.
- 4) Longer length of Ball Screw Shaft than standard product.

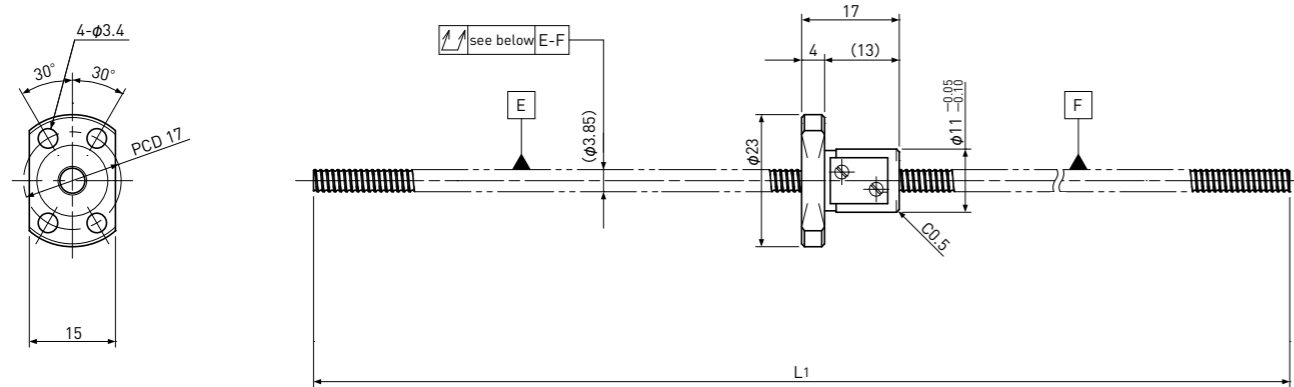
Note

- 1) Zero backlash is possible by your request, please ask KSS representative.
- 2) We recommend additional end-journal machining is done by KSS. We do not guarantee accuracy after re-works done by other than KSS.
- 3) Please send us drawing with end-journal profile when you request end-journal machining.
- 4) Additional machining is not applied to the Nut.
Please design flange configuration according to our standard dimension.
- 5) In Ball Screws use, lubricant should be applied on them. Please note that anti-rust oil is not lubricant.

Standard products in stock PSR series

PSR0401 | Shaft dia. $\phi 4$ Lead 1mm

C5



Unit:mm

Ball Screw Specifications		
Ball size	$\phi 0.8$	
Number of thread	1	
Thread direction	Right	
Shaft root dia.	$\phi 3.3$	
Number of circuit	3.7×1	
Material	Shaft	S55C
	Nut	SCM415H
Surface hardness	HRC58~ (Thread area)	
Anti-rust treatment	Anti-rust oil	

Unit:mm

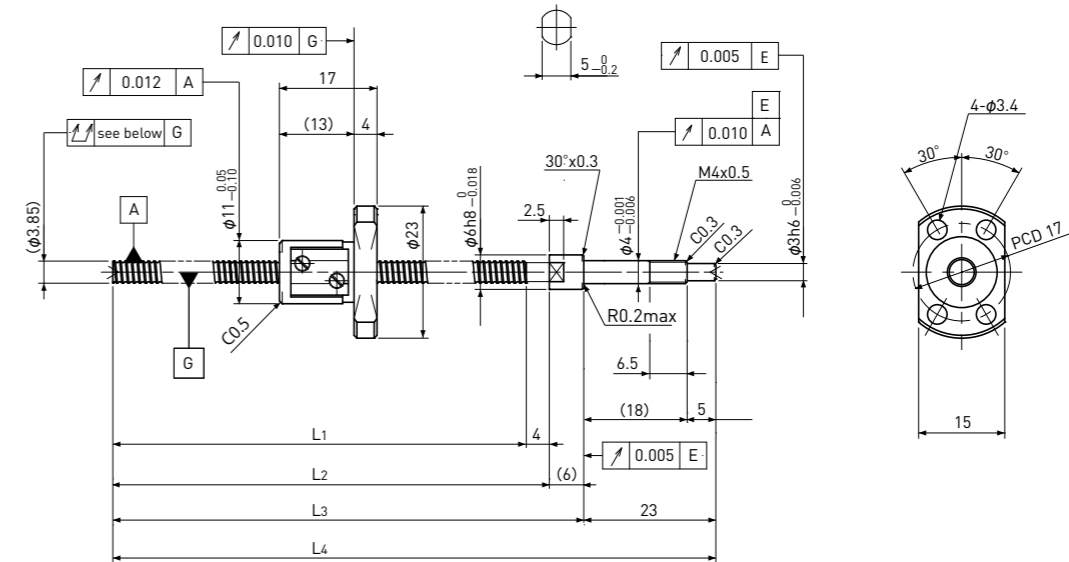
Ball Screw Model	Travel	Shaft length				Travel deviation e_p	Total Run-out	Axial play	Basic Load Rating N	
		L1	L2	L3	L4				Dynamic Ca	Static Coa
PSR0401-100R100C5	75	100				± 0.018	0.035	~ 0.005	560	790

Note) Please designate end-journal profile with your sketch.

Standard products in stock PSRT series

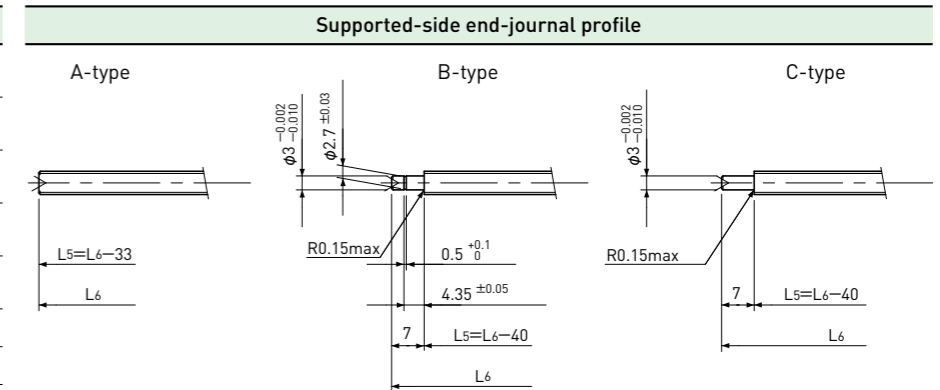
PSRT0401 | Shaft dia. $\phi 4$ Lead 1mm

C5



Unit:mm

Ball Screw Specifications		
Ball size	$\phi 0.8$	
Number of thread	1	
Thread direction	Right	
Shaft root dia.	$\phi 3.3$	
Number of circuit	3.7×1	
Material	Shaft	S55C+SUS303
	Nut	SCM415H
Surface hardness	HRC58~ (Thread area)	
Lubrication	KSS Original Grease MSG No.2	

L5: Thread length after end-journal machining.
L6: Total length after end-journal machining.

Support-unit Recommendation	Supported-side	
	Supported-side	: MSU-4CS/4GS
Fixed-side	: MSU-4C/4G	

D-type : Other than the above.

Unit:mm

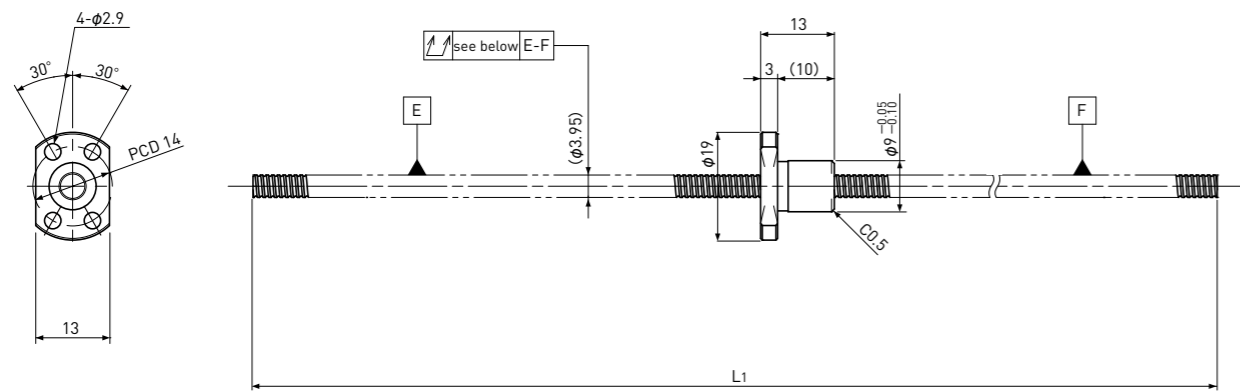
Ball Screw Model	Travel	Shaft length				Travel deviation e_p	Total Run-out	Axial play	Basic Load Rating N	
		L1	L2	L3	L4				Dynamic Ca	Static Coa
PSRT0401-72R105C5	50	72	76	82	105	± 0.018	0.035	~ 0.005	560	790

Note) Please refer to page A321 for order code of end-journal machining.

Standard products in stock PSR series

PSR0401K | Compact Nut
Shaft dia. $\phi 4$ Lead 1mm

C5



Unit: mm

Ball Screw Specifications		
Ball size	$\phi 0.6$	
Number of thread	1	
Thread direction	Right	
Shaft root dia.	$\phi 3.4$	
Number of circuit	1×3	
Material	Shaft	S55C
	Nut	SCM415H
Surface hardness	HRC58~ (Thread area)	
Anti-rust treatment	Anti-rust oil	

Unit: mm

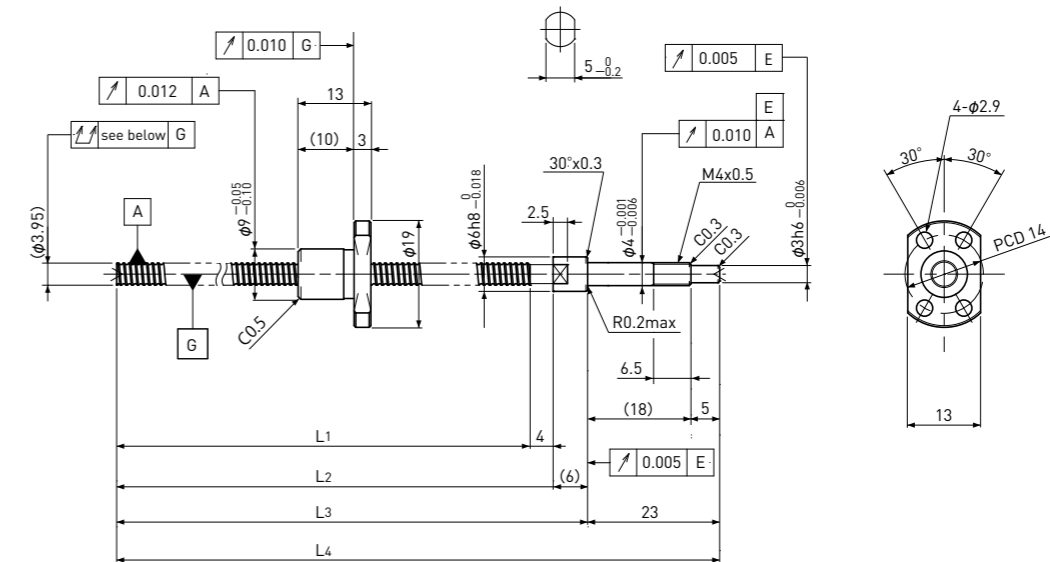
Ball Screw Model	Travel	Shaft length		Travel deviation e_p	Total Run-out	Axial play	Basic Load Rating N	
		L_1	L_2				Dynamic C_a	Static C_{oa}
PSR0401K-100R100C5	80	100		± 0.018	0.035	~ 0.005	300	430

Note) Please designate end-journal profile with your sketch.

Standard products in stock PSRT series

PSRT0401K | Compact Nut
Shaft dia. $\phi 4$ Lead 1mm

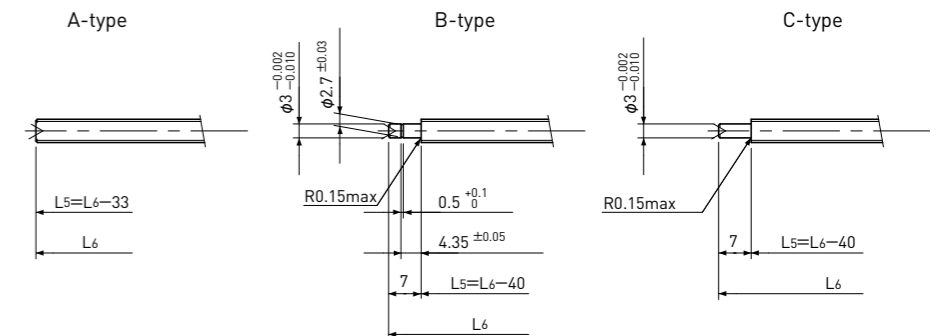
C5



Unit: mm

Ball Screw Specifications		
Ball size	$\phi 0.6$	
Number of thread	1	
Thread direction	Right	
Shaft root dia.	$\phi 3.4$	
Number of circuit	1×3	
Material	Shaft	S55C+SUS303
	Nut	SCM415H
Surface hardness	HRC58~ (Thread area)	
Lubrication	KSS Original Grease MSG No.2	

Supported-side end-journal profile



L_5 : Thread length after end-journal machining.
 L_6 : Total length after end-journal machining.

Support-unit Recommendation	Supported-side	
	Supported-side	: MSU-4CS/4GS
Fixed-side	: MSU-4C/4G	

D-type : Other than the above.

Unit: mm

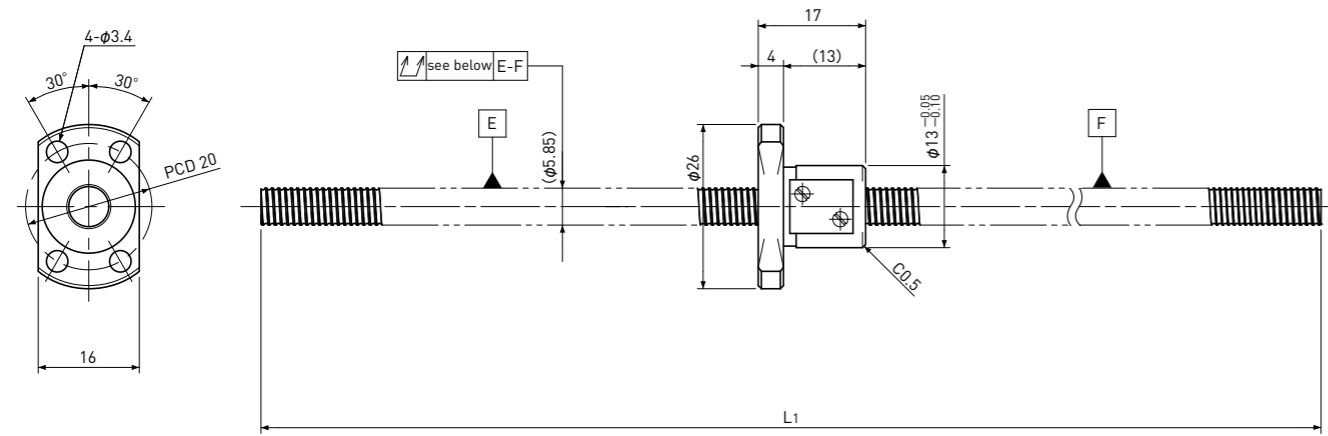
Ball Screw Model	Travel	Shaft length				Travel deviation e_p	Total Run-out	Axial play	Basic Load Rating N	
		L_1	L_2	L_3	L_4				Dynamic C_a	Static C_{oa}
PSRT0401K-72R105C5	50	72	76	82	105	± 0.018	0.035	~ 0.005	300	430

Note) Please refer to page A321 for order code of end-journal machining.

Standard products in stock PSR series

PSR0601 | Shaft dia. $\phi 6$ Lead 1mm

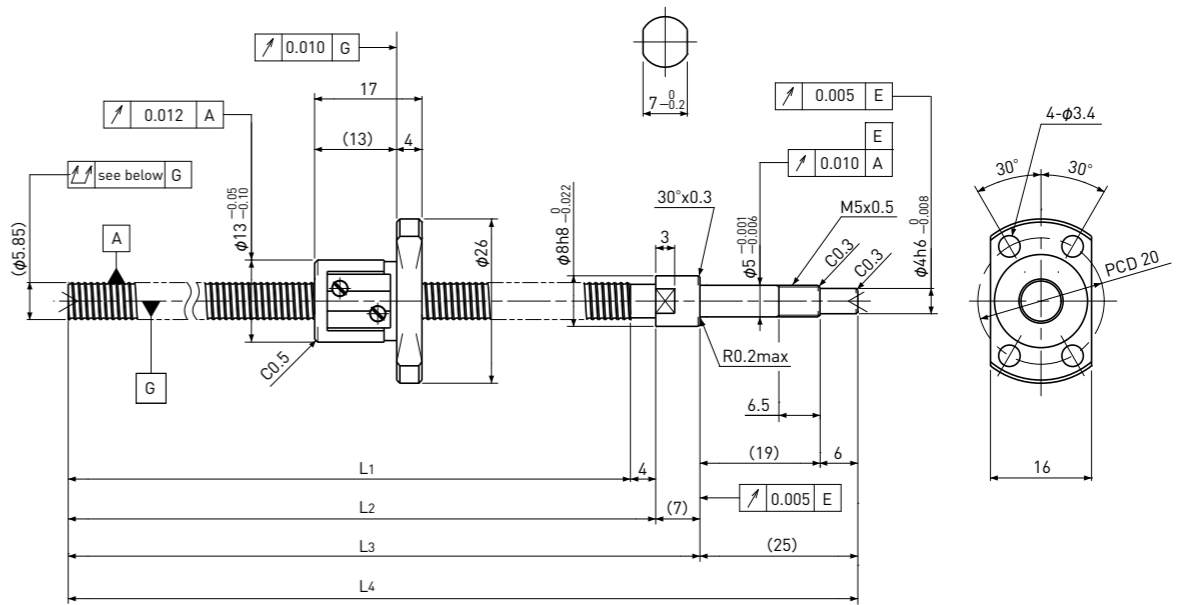
C5



Standard products in stock PSRT series

PSRT0601 | Shaft dia. $\phi 6$ Lead 1mm

C5



Unit: mm

Ball Screw Specifications		
Ball size	$\phi 0.8$	
Number of thread	1	
Thread direction	Right	
Shaft root dia.	$\phi 5.3$	
Number of circuit	3.7 × 1	
Material	Shaft	S55C
	Nut	SCM415H
Surface hardness	HRC58~ (Thread area)	
Anti-rust treatment	Anti-rust oil	

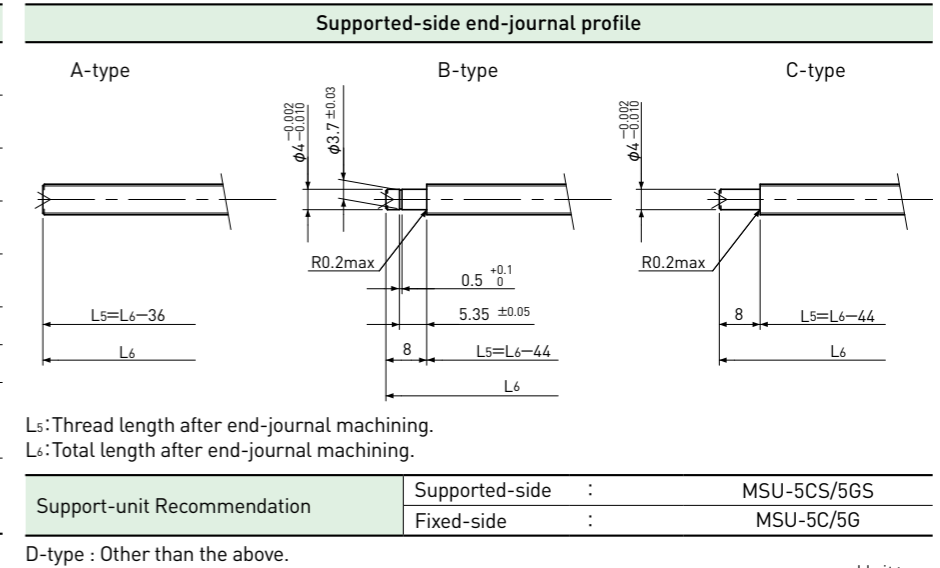
Unit: mm

Ball Screw Model	Travel	Shaft length		Travel deviation e_p	Total Run-out	Axial play	Basic Load Rating N	
		L1	L2				Dynamic Ca	Static Coa
PSR0601-200R200C5	175	200		± 0.020	0.050	~ 0.005	680	1200

Note) Please designate end-journal profile with your sketch.

Unit: mm

Ball Screw Specifications		
Ball size	$\phi 0.8$	
Number of thread	1	
Thread direction	Right	
Shaft root dia.	$\phi 5.3$	
Number of circuit	3.7 × 1	
Material	Shaft	S55C+SUS303
	Nut	SCM415H
Surface hardness	HRC58~ (Thread area)	
Lubrication	KSS Original Grease MSG No.2	



Unit: mm

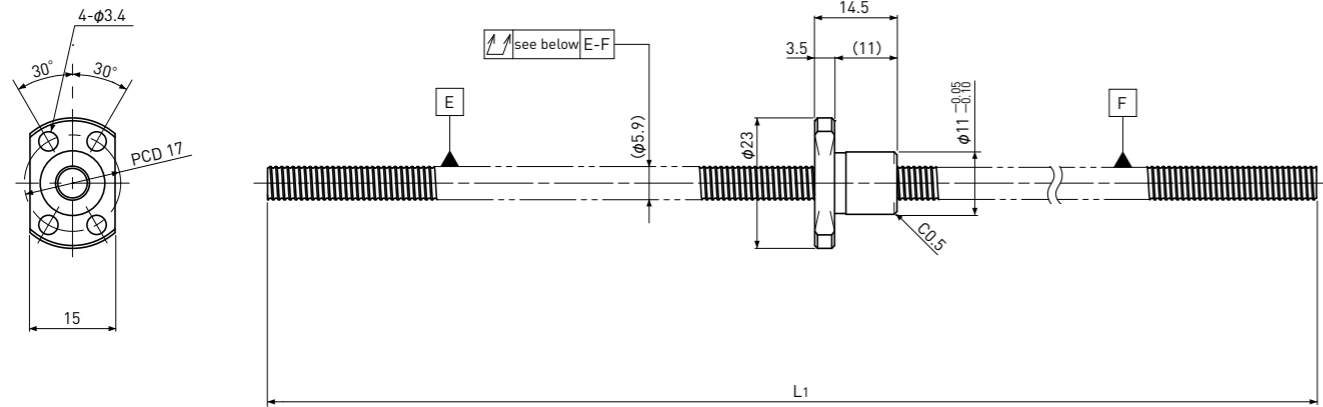
Ball Screw Model	Travel	Shaft length				Travel deviation e_p	Total Run-out	Axial play	Basic Load Rating N	
		L1	L2	L3	L4				Dynamic Ca	Static Coa
PSRT0601-89R125C5	65	89	93	100	125	± 0.018	0.035	~ 0.005	680	1200

Note) Please refer to page A321 for order code of end-journal machining.

Standard products in stock PSR series

PSR0601K Compact Nut
Shaft dia. $\phi 6$ Lead 1mm

C5



Unit: mm

Ball Screw Specifications		
Ball size	$\phi 0.8$	
Number of thread	1	
Thread direction	Right	
Shaft root dia.	$\phi 5.3$	
Number of circuit	1×3	
Material	Shaft	S55C
	Nut	SCM415H
Surface hardness	HRC58~ (Thread area)	
Anti-rust treatment	Anti-rust oil	

Unit: mm

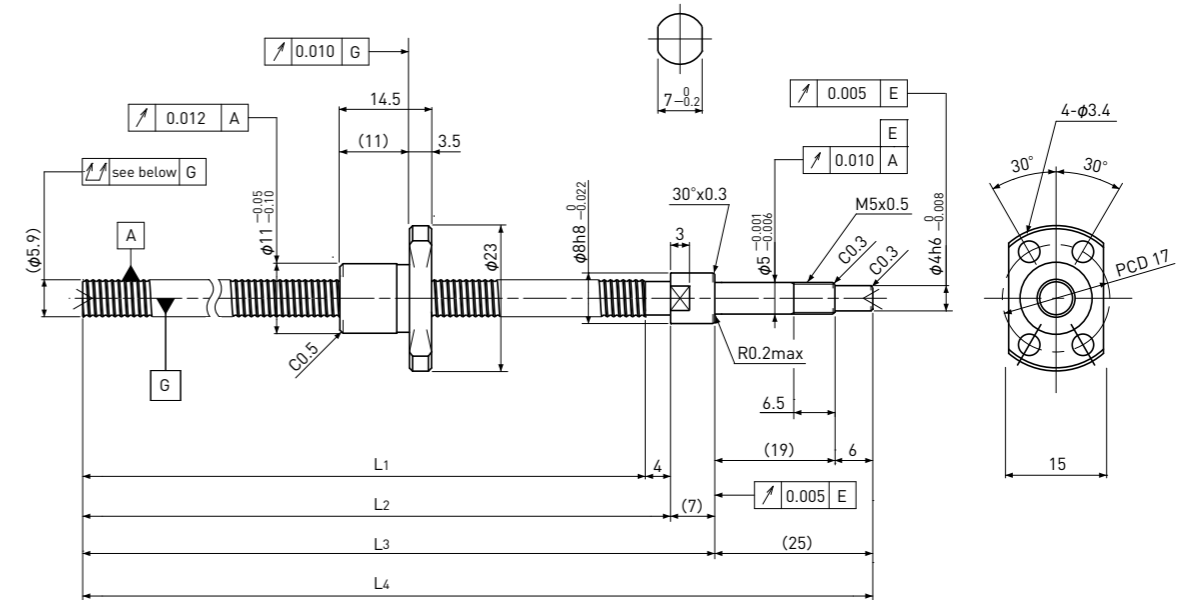
Ball Screw Model	Travel	Shaft length				Basic Load Rating N	
		L ₁	Travel deviation e _p	Total Run-out	Axial play	Dynamic Ca	Static Coa
PSR0601K-200R2000C5	180	200	±0.020	0.050	~0.005	560	950

Note) Please designate end-journal profile with your sketch.

Standard products in stock PSRT series

PSRT0601K Compact Nut
Shaft dia. $\phi 6$ Lead 1mm

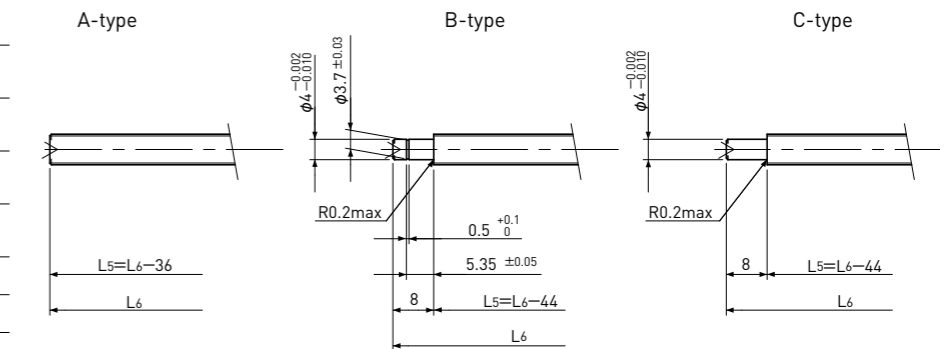
C5



Unit: mm

Ball Screw Specifications		
Ball size	$\phi 0.8$	
Number of thread	1	
Thread direction	Right	
Shaft root dia.	$\phi 5.3$	
Number of circuit	1×3	
Material	Shaft	S55C+SUS303
	Nut	SCM415H
Surface hardness	HRC58~ (Thread area)	
Lubrication	KSS Original Grease MSG No.2	

Supported-side end-journal profile

L₅: Thread length after end-journal machining.L₆: Total length after end-journal machining.

Support-unit Recommendation	Supported-side	
	Supported-side	MSU-5CS/5GS
Fixed-side	MSU-5C/5G	

D-type: Other than the above.

Unit: mm

Ball Screw Model	Travel	Shaft length				Travel deviation e _p	Total Run-out	Axial play	Basic Load Rating N	
		L ₁	L ₂	L ₃	L ₄				Dynamic Ca	Static Coa
PSRT0601K-89R125C5	65	89	93	100	125	±0.018	0.035	~0.005	560	950

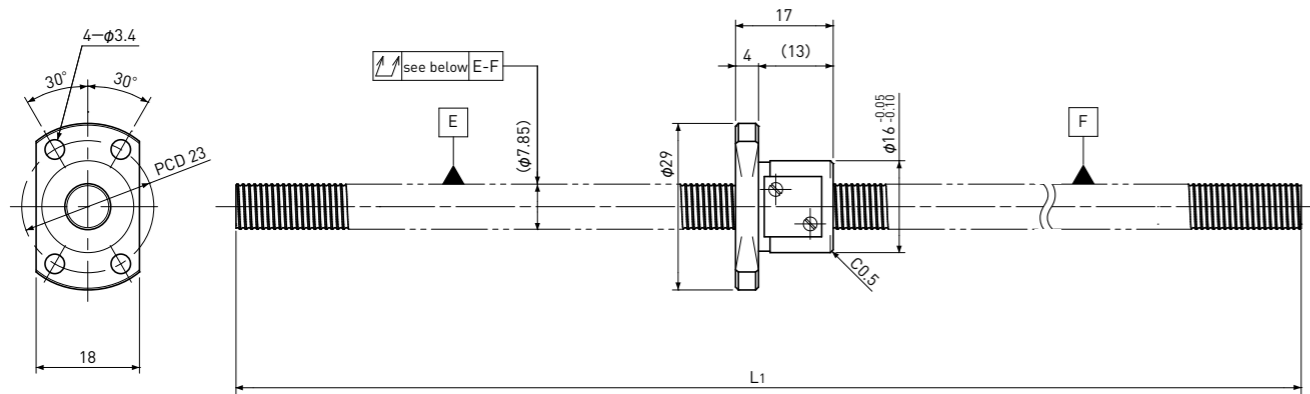
Note) Please refer to page A321 for order code of end-journal machining.

Standard products in stock PSR series

PSR0801

 Shaft dia. $\phi 8$ Lead 1mm

C5



Unit: mm

Ball Screw Specifications		
Ball size	$\phi 0.8$	
Number of thread	1	
Thread direction	Right	
Shaft root dia.	$\phi 7.3$	
Number of circuit	3.7×1	
Material	Shaft	S55C
	Nut	SCM415H
Surface hardness	HRC58~ (Thread area)	
Anti-rust treatment	Anti-rust oil	

Unit: mm

Ball Screw Model	Travel	Shaft length				Travel deviation e_p	Total Run-out	Axial play	Basic Load Rating N	
		L1	L2	L3	L4				Dynamic Ca	Static Coa
PSR0801-230R230C5	205	230				± 0.023	0.065	~ 0.005	780	1650

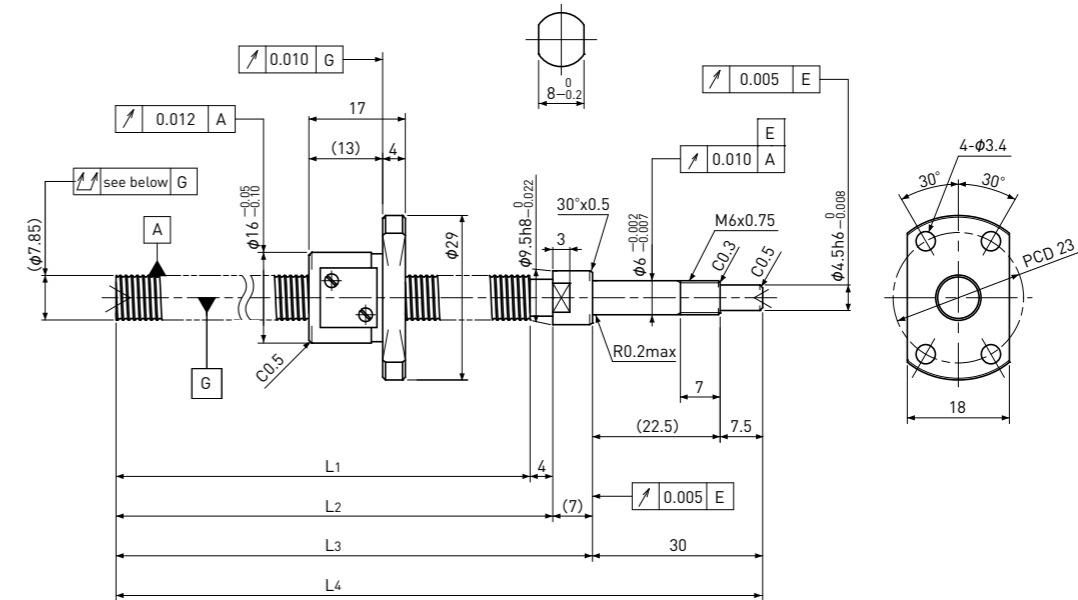
Note) Please designate end-journal profile with your sketch.

Standard products in stock PSRT series

PSRT0801

 Shaft dia. $\phi 8$ Lead 1mm

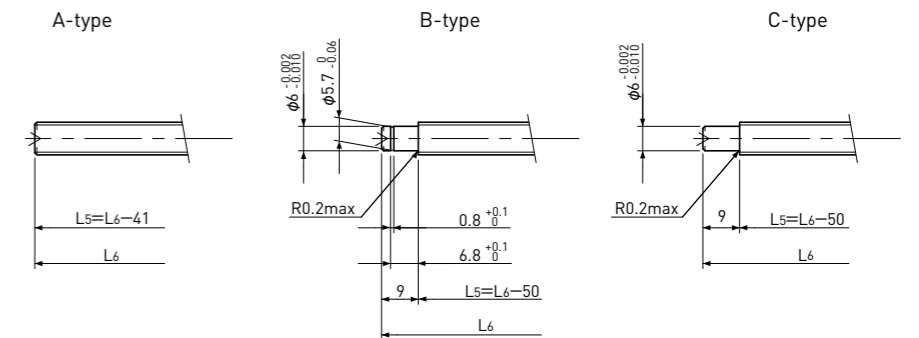
C5



Unit: mm

Ball Screw Specifications		
Ball size	$\phi 0.8$	
Number of thread	1	
Thread direction	Right	
Shaft root dia.	$\phi 7.3$	
Number of circuit	3.7×1	
Material	Shaft	S55C+SUS303
	Nut	SCM415H
Surface hardness	HRC58~ (Thread area)	
Lubrication	KSS Original Grease MSG No.2	

Supported-side end-journal profile



L5: Thread length after end-journal machining.
L6: Total length after end-journal machining.

Support-unit Recommendation	Supported-side	
	Supported-side	: MSU-6CS/6GS
Fixed-side	: MSU-6C/6G	

D-type : Other than the above

Unit: mm

Ball Screw Model	Travel	Shaft length				Travel deviation e_p	Total Run-out	Axial play	Basic Load Rating N	
		L1	L2	L3	L4				Dynamic Ca	Static Coa
PSRT0801-169R210C5	145	169	173	180	210	± 0.020	0.065	~ 0.005	780	1650

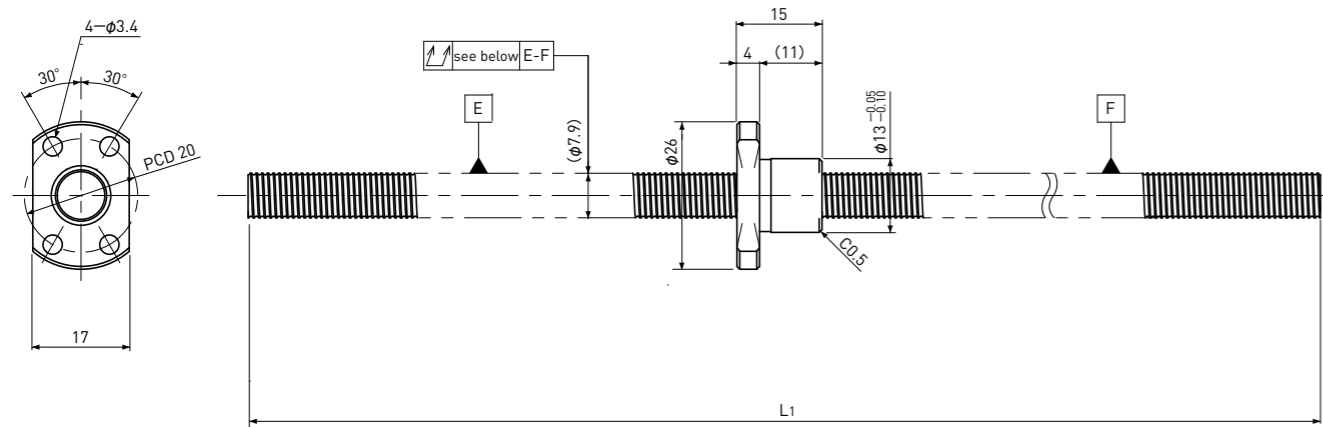
Note) Please refer to page A321 for order code of end-journal machining.

Standard products in stock PSR series

PSR0801K

Compact Nut
Shaft dia. $\phi 8$ Lead 1mm

C5



Unit: mm

Ball Screw Specifications		
Ball size	$\phi 0.8$	
Number of thread	1	
Thread direction	Right	
Shaft root dia.	$\phi 7.3$	
Number of circuit	1×3	
Material	Shaft	S55C
	Nut	SCM415H
Surface hardness	HRC58~ (Thread area)	
Anti-rust treatment	Anti-rust oil	

Unit: mm

Ball Screw Model	Travel	Shaft length		Travel deviation e_p	Total Run-out	Axial play	Basic Load Rating N	
		L1	L2				Dynamic Ca	Static Coa
PSR0801K-230R230C5	210	230		± 0.023	0.065	~ 0.005	650	1300

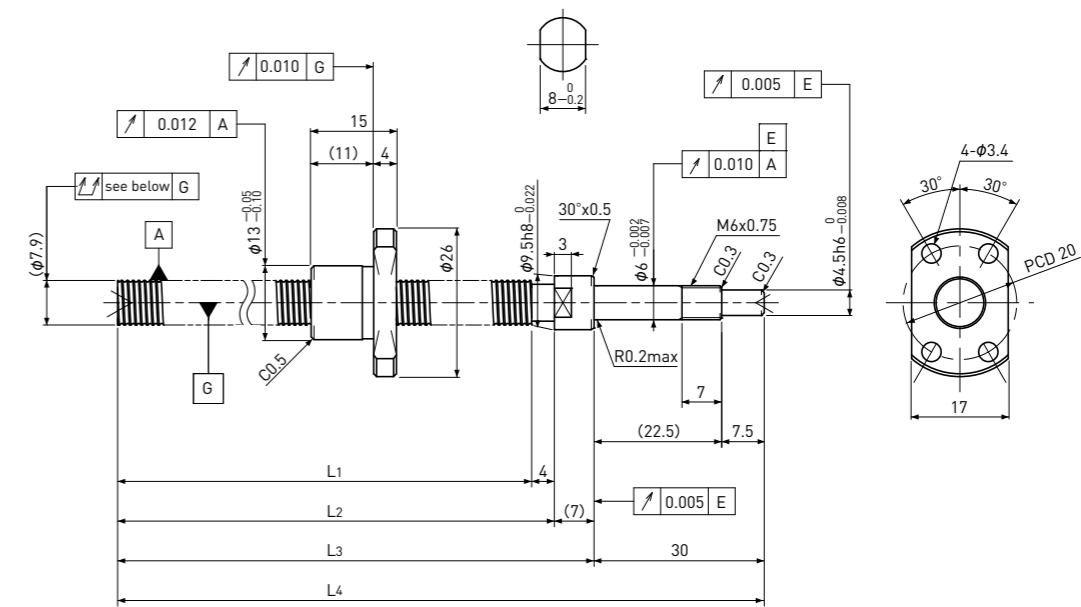
Note) Please designate end-journal profile with your sketch.

Standard products in stock PSRT series

PSRT0801K

Compact Nut
Shaft dia. $\phi 8$ Lead 1mm

C5



Unit: mm

Ball Screw Specifications		
Ball size	$\phi 0.8$	
Number of thread	1	
Thread direction	Right	
Shaft root dia.	$\phi 7.3$	
Number of circuit	1×3	
Material	Shaft	S55C+SUS303
	Nut	SCM415H
Surface hardness	HRC58~ (Thread area)	
Lubrication	KSS Original Grease MSG No.2	

Supported-side end-journal profile			
	A-type	B-type	C-type
	L5: Thread length after end-journal machining. L6: Total length after end-journal machining.		
Support-unit Recommendation	Supported-side	MSU-6CS/6GS	
	Fixed-side	MSU-6C/6G	
	D-type: Other than the above		

Unit: mm

Ball Screw Model	Travel	Shaft length				Travel deviation e_p	Total Run-out	Axial play	Basic Load Rating N	
		L1	L2	L3	L4				Dynamic Ca	Static Coa
PSRT0801K-169R210C5	145	169	173	180	210	± 0.020	0.065	~ 0.005	650	1300

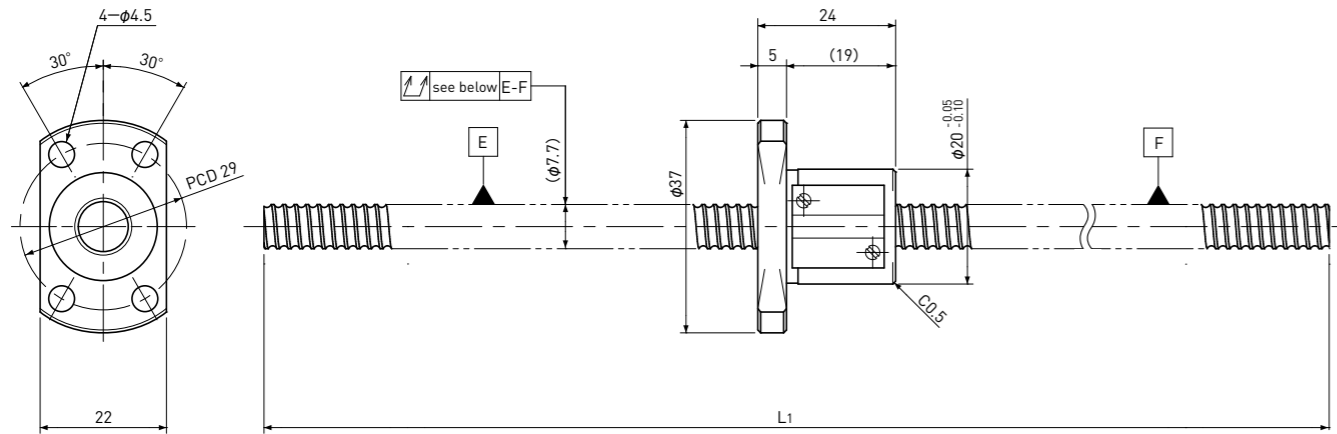
Note) Please refer to page A321 for order code of end-journal machining.

Standard products in stock PSR series

PSR0802

 Shaft dia. $\phi 8$ Lead 2mm

C5



Unit: mm

Ball Screw Specifications		
Ball size	$\phi 1.5875$	
Number of thread	1	
Thread direction	Right	
Shaft root dia.	$\phi 6.6$	
Number of circuit	3.7×1	
Material	Shaft	S55C
	Nut	SCM415H
Surface hardness	HRC58~ (Thread area)	
Anti-rust treatment	Anti-rust oil	

Unit: mm

Ball Screw Model	Travel	Shaft length				Travel deviation e_p	Total Run-out	Axial play	Basic Load Rating N	
		L ₁	L ₂	L ₃	L ₄				Dynamic Ca	Static Coa
PSR0802-230R230C5	200	230				± 0.023	0.065	~ 0.005	2400	4100

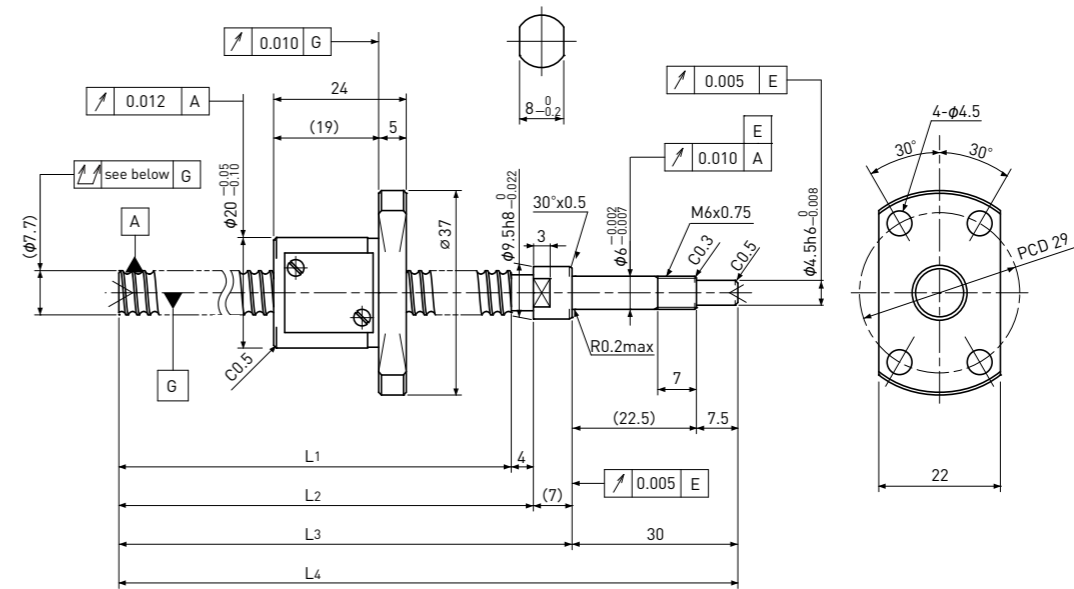
Note) Please designate end-journal profile with your sketch.

Standard products in stock PSRT series

PSRT0802

 Shaft dia. $\phi 8$ Lead 2mm

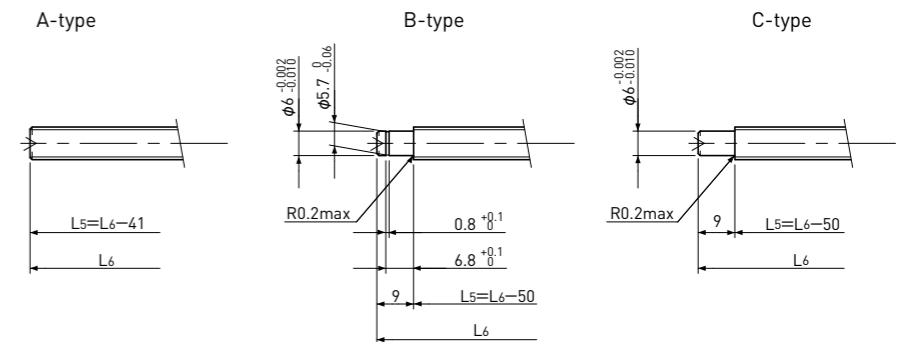
C5



Unit: mm

Ball Screw Specifications		
Ball size	$\phi 1.5875$	
Number of thread	1	
Thread direction	Right	
Shaft root dia.	$\phi 6.6$	
Number of circuit	3.7×1	
Material	Shaft	S55C+SUS303
	Nut	SCM415H
Surface hardness	HRC58~ (Thread area)	
Lubrication	KSS Original Grease MSG No.2	

Supported-side end-journal profile



L₅: Thread length after end-journal machining.
L₆: Total length after end-journal machining.

Support-unit Recommendation	Supported-side	
	Supported-side	: MSU-6CS/6GS
Fixed-side	: MSU-6C/6G	

D-type : Other than the above

Unit: mm

Ball Screw Model	Travel	Shaft length				Travel deviation e_p	Total Run-out	Axial play	Basic Load Rating N	
		L ₁	L ₂	L ₃	L ₄				Dynamic Ca	Static Coa
PSRT0802-169R210C5	140	169	173	180	210	± 0.020	0.065	~ 0.005	2400	4100

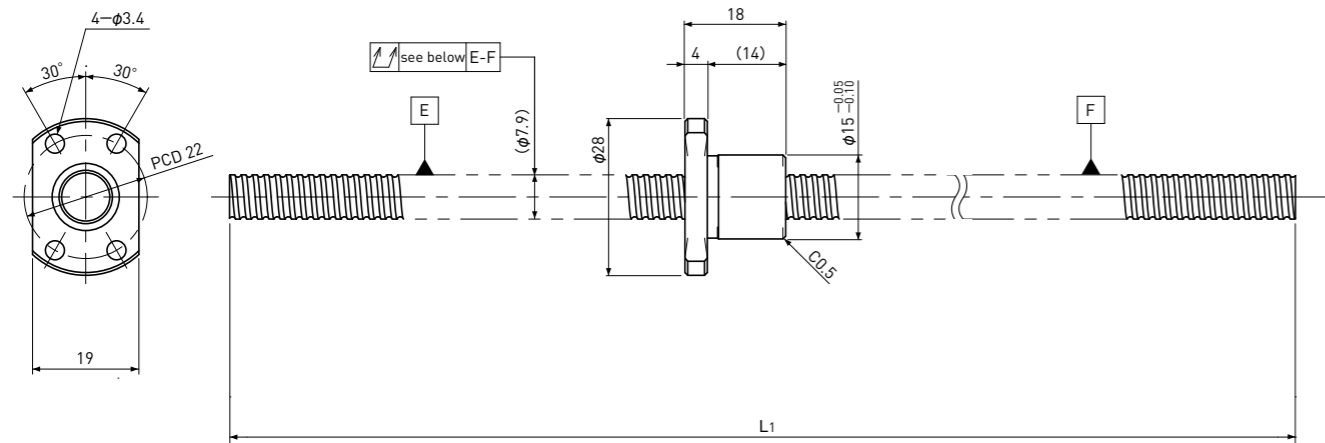
Note) Please refer to page A321 for order code of end-journal machining.

Standard products in stock PSR series

PSR0802K

Compact Nut
Shaft dia. $\phi 8$ Lead 2mm

C5



Unit: mm

Ball Screw Specifications		
Ball size	$\phi 1.2$	
Number of thread	1	
Thread direction	Right	
Shaft root dia.	$\phi 7.0$	
Number of circuit	1×3	
Material	Shaft	S55C
	Nut	SCM415H
Surface hardness	HRC58~ (Thread area)	
Anti-rust treatment	Anti-rust oil	

Unit: mm

Ball Screw Model	Travel	Shaft length		Travel deviation e_p	Total Run-out	Axial play	Basic Load Rating N	
		L1	L2				Dynamic Ca	Static Coa
PSR0802K-230R230C5	205	230		± 0.023	0.065	~ 0.005	1300	2300

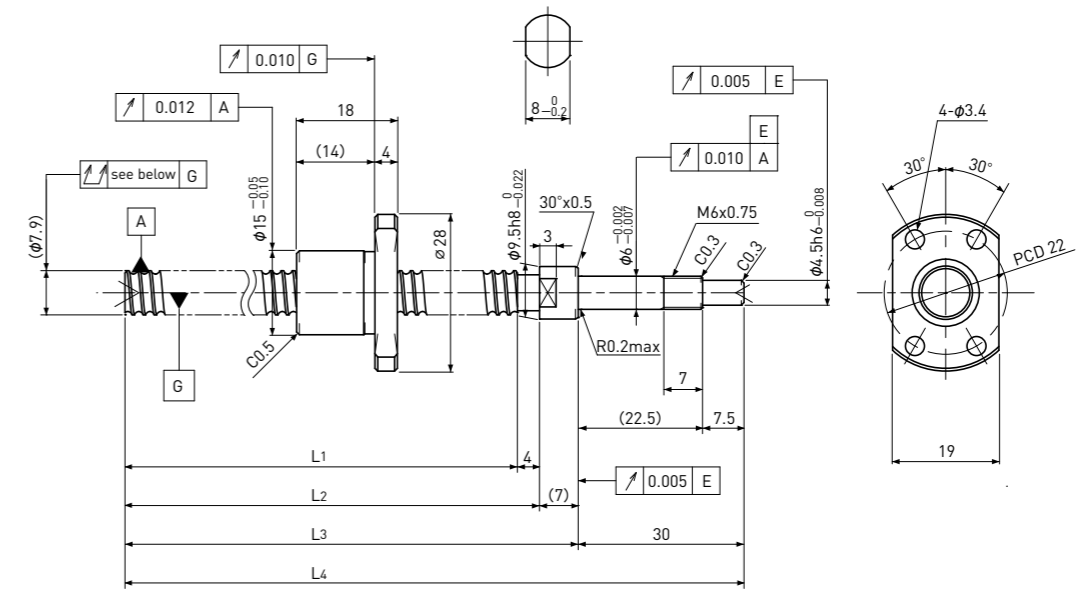
Note) Please designate end-journal profile with your sketch.

Standard products in stock PSRT series

PSRT0802K

Compact Nut
Shaft dia. $\phi 8$ Lead 2mm

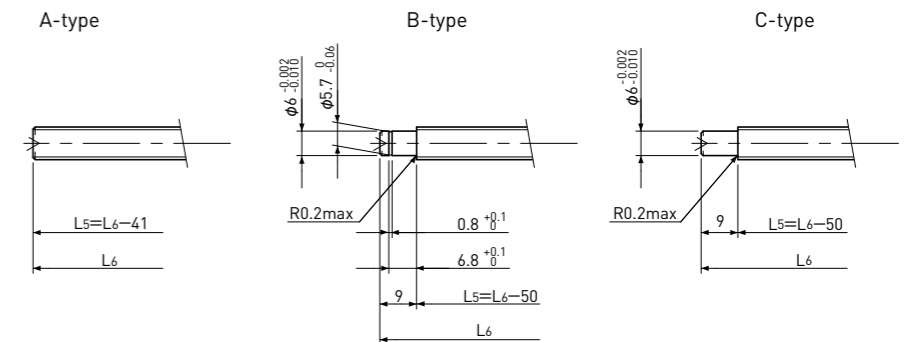
C5



Unit: mm

Ball Screw Specifications		
Ball size	$\phi 1.2$	
Number of thread	1	
Thread direction	Right	
Shaft root dia.	$\phi 7.0$	
Number of circuit	1×3	
Material	Shaft	S55C+SUS303
	Nut	SCM415H
Surface hardness	HRC58~ (Thread area)	
Lubrication	KSS Original Grease MSG No.2	

Supported-side end-journal profile

L5: Thread length after end-journal machining.
L6: Total length after end-journal machining.

Support-unit Recommendation	Supported-side	
	Supported-side	MSU-6CS/6GS
Fixed-side	MSU-6C/6G	

D-type : Other than the above

Unit: mm

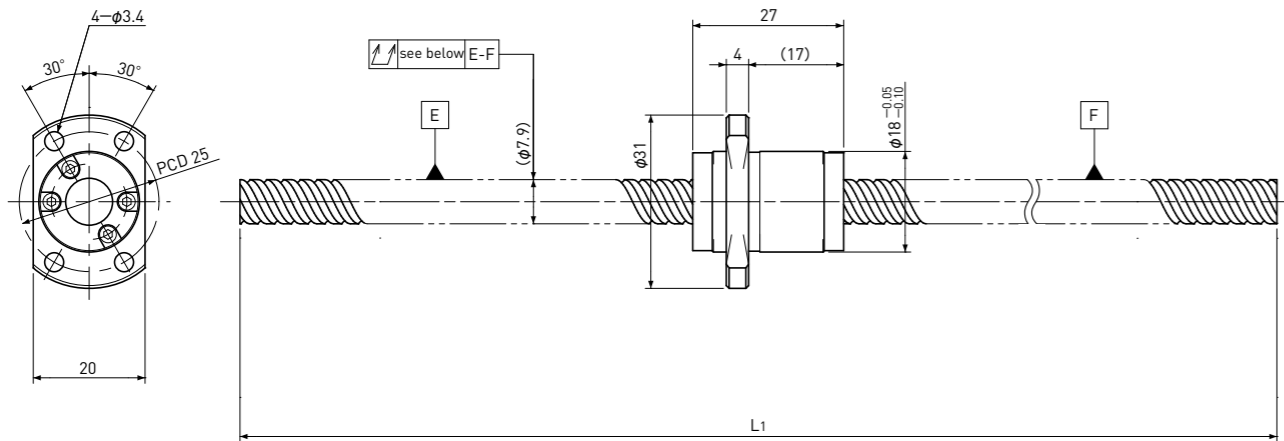
Ball Screw Model	Travel	Shaft length				Travel deviation e_p	Total Run-out	Axial play	Basic Load Rating N	
		L1	L2	L3	L4				Dynamic Ca	Static Coa
PSRT0802K-169R210C5	145	169	173	180	210	± 0.020	0.065	~ 0.005	1300	2300

Note) Please refer to page A321 for order code of end-journal machining.

Standard products in stock PSR series

PSR0812 | Shaft dia. $\phi 8$ Lead 12mm

C5



Unit:mm

Ball Screw Specifications		
Ball size	$\phi 1.5875$	
Number of thread	2	
Thread direction	Right	
Shaft root dia.	$\phi 6.7$	
Number of circuit	1.6 \times 2	
Material	Shaft	S55C
	Nut	SCM415H
Surface hardness	HRC58~ (Thread area)	
Anti-rust treatment	Anti-rust oil	

Unit:mm

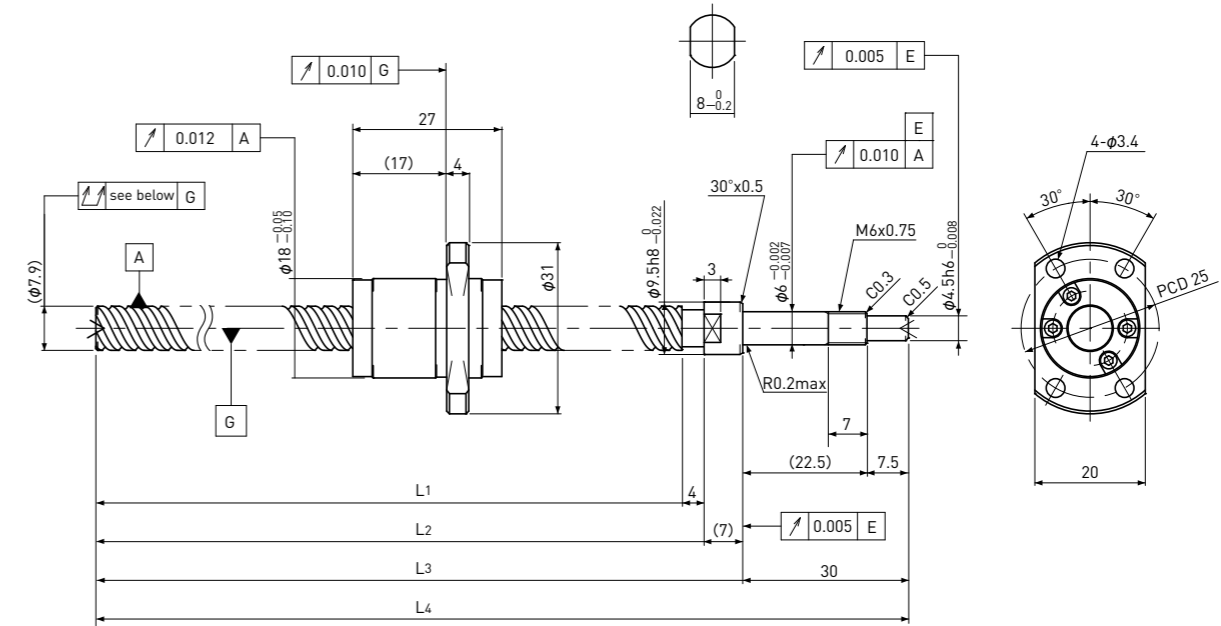
Ball Screw Model	Travel	Shaft length		Travel deviation e_p	Total Run-out	Axial play	Basic Load Rating N	
		L1	L2				Dynamic Ca	Static Coa
PSR0812-230R230C5	195	230		± 0.023	0.065	~ 0.005	2200	4000

Note) Please designate end-journal profile with your sketch.

Standard products in stock PSRT series

PSRT0812 | Shaft dia. $\phi 8$ Lead 12mm

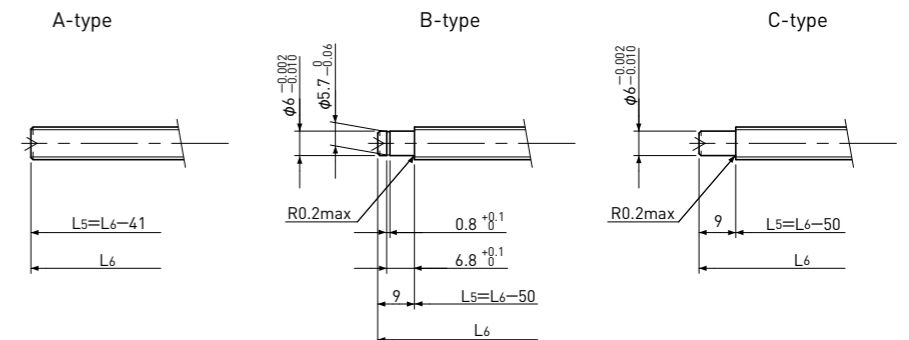
C5



Unit:mm

Ball Screw Specifications		
Ball size	$\phi 1.5875$	
Number of thread	2	
Thread direction	Right	
Shaft root dia.	$\phi 6.7$	
Number of circuit	1.6 \times 2	
Material	Shaft	S55C+SUS303
	Nut	SCM415H
Surface hardness	HRC58~ (Thread area)	
Lubrication	KSS Original Grease MSG No.2	

Supported-side end-journal profile

L5: Thread length after end-journal machining.
L6: Total length after end-journal machining.

Support-unit Recommendation	Supported-side	
	Supported-side	MSU-6CS/6GS
Fixed-side	MSU-6C/6G	

D-type : Other than the above.

Unit:mm

Ball Screw Model	Travel	Shaft length				Travel deviation e_p	Total Run-out	Axial play	Basic Load Rating N	
		L1	L2	L3	L4				Dynamic Ca	Static Coa
PSRT0812-169R210C5	135	169	173	180	210	± 0.020	0.065	~ 0.005	2200	4000

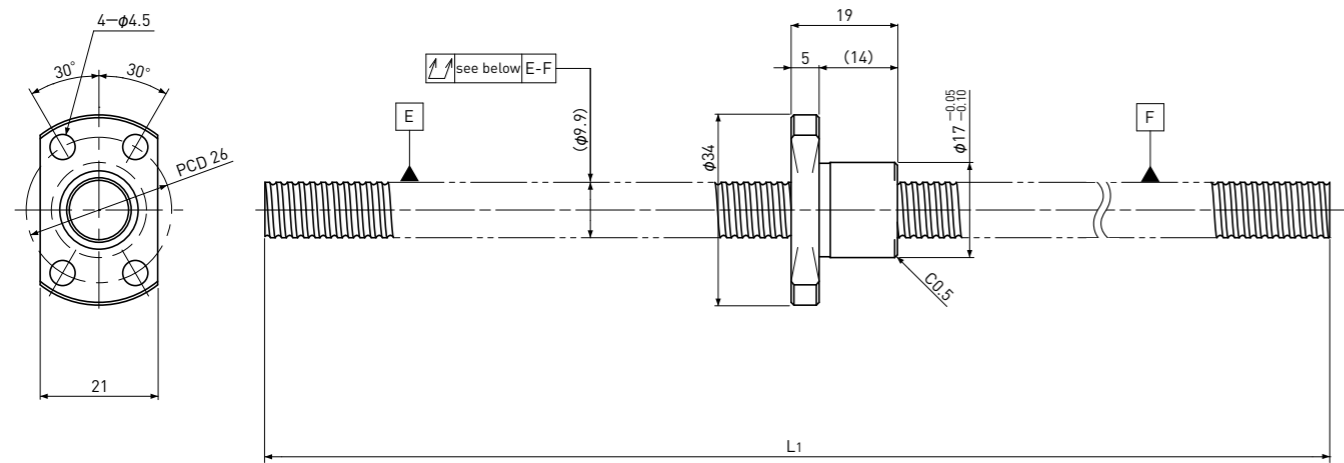
Note) Please refer to page A321 for order code of end-journal machining.

Standard products in stock PSR series

PSR1002K

Compact Nut
Shaft dia. $\phi 10$ Lead 2mm

C5



Unit:mm

Ball Screw Specifications		
Ball size	$\phi 1.2$	
Number of thread	1	
Thread direction	Right	
Shaft root dia.	$\phi 9.0$	
Number of circuit	1×3	
Material	Shaft	S55C
	Nut	SCM415H
Surface hardness	HRC58~ (Thread area)	
Anti-rust treatment	Anti-rust oil	

Unit:mm

Ball Screw Model	Travel	Shaft length				Travel deviation e_p	Total Run-out	Axial play	Basic Load Rating N	
		L1	L2	L3	L4				Dynamic Ca	Static Coa
PSR1002K-230R230C5	205	230				± 0.023	0.055	~0.005	1450	3000

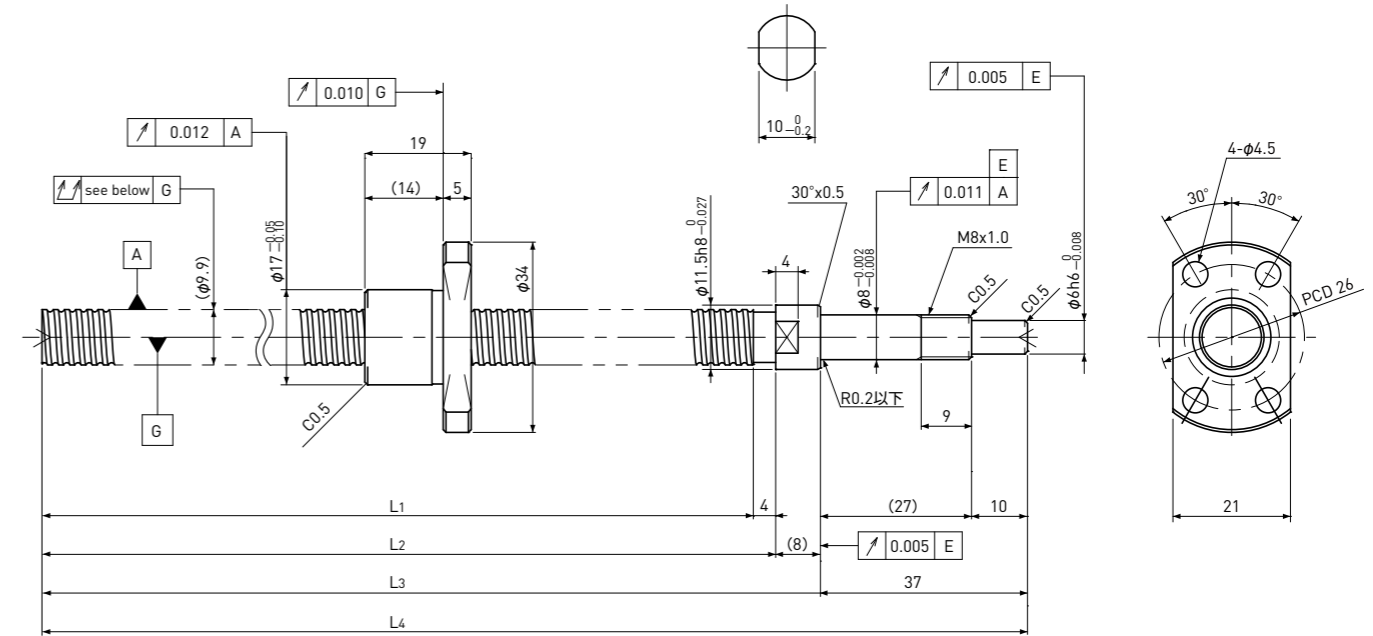
Note) Please designate end-journal profile with your sketch.

Standard products in stock PSRT series

PSRT1002K

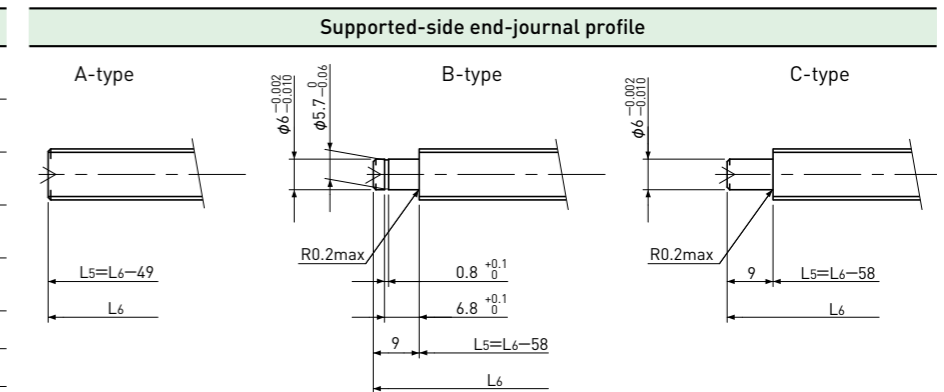
Compact Nut
Shaft dia. $\phi 10$ Lead 2mm

C5



Unit:mm

Ball Screw Specifications		
Ball size	$\phi 1.2$	
Number of thread	1	
Thread direction	Right	
Shaft root dia.	$\phi 9.0$	
Number of circuit	1×3	
Material	Shaft	S55C+SUS303
	Nut	SCM415H
Surface hardness	HRC58~ (Thread area)	
Lubrication	KSS Original Grease MSG No.2	

L5: Thread length after end-journal machining.
L6: Total length after end-journal machining.

Support-unit Recommendation	Supported-side	
	Supported-side	: MSU-8CS/8GS
Fixed-side	: MSU-8C/8G	

D-type : Other than the above.

Unit:mm

Ball Screw Model	Travel	Shaft length				Travel deviation e_p	Total Run-out	Axial play	Basic Load Rating N	
		L1	L2	L3	L4				Dynamic Ca	Static Coa
PSRT1002K-201R250C5	175	201	205	213	250	± 0.023	0.055	~0.005	1450	3000

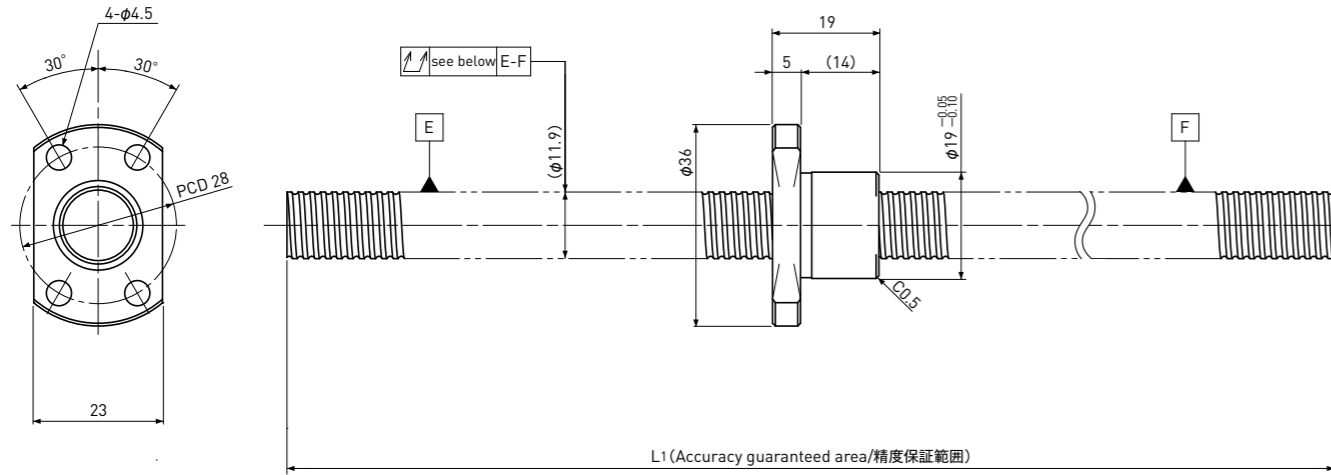
Note) Please refer to page A321 for order code of end-journal machining.

Standard products in stock PSR series

PSR1202K

Compact Nut
Shaft dia. $\phi 12$ Lead 2mm

C5



Unit: mm

Ball Screw Specifications		
Ball size	$\phi 1.2$	
Number of thread	1	
Thread direction	Right	
Shaft root dia.	$\phi 11.0$	
Number of circuit	1×3	
Material	Shaft	S55C
	Nut	SCM415H
Surface hardness	HRC58~ (Thread area)	
Anti-rust treatment	Anti-rust oil	

Unit: mm

Ball Screw Model	Travel	Shaft length		Travel deviation e_p	Total Run-out	Axial play	Basic Load Rating N	
		L1	L2				Dynamic Ca	Static Coa
PSR1202K-280R280C5	255	280		± 0.023	0.055	~ 0.005	1600	3700

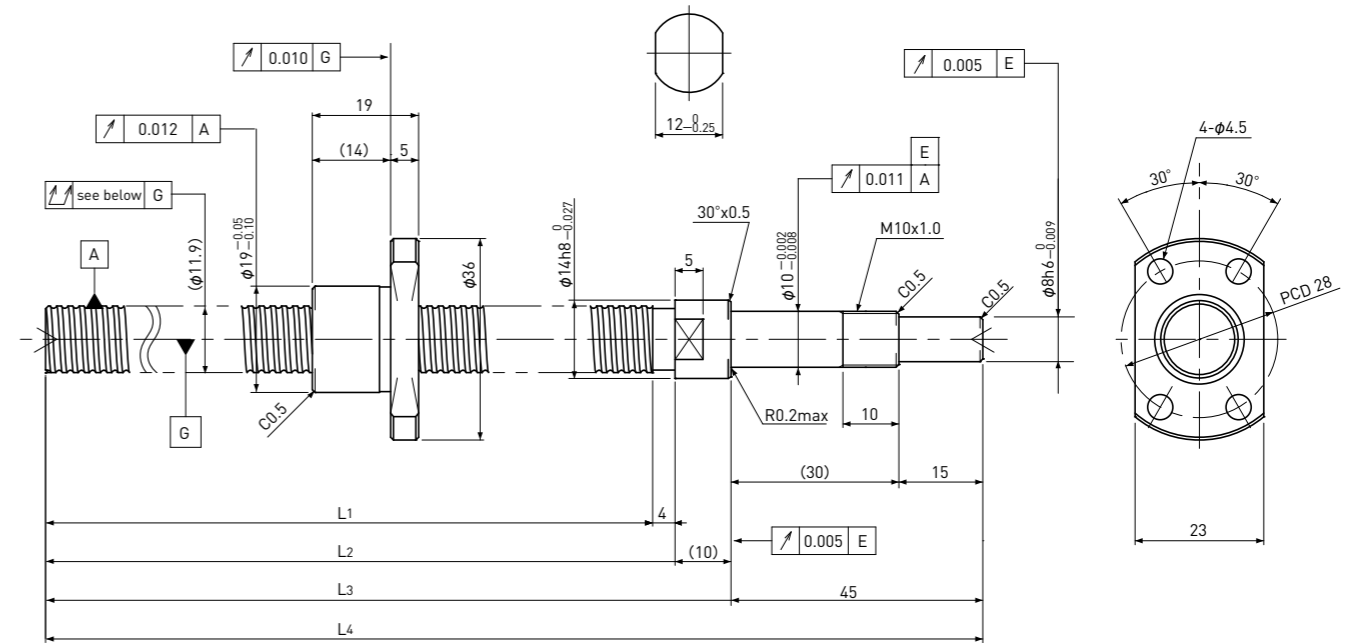
Note) Please designate end-journal profile with your sketch.

Standard products in stock PSRT series

PSRT1202K

Compact Nut
Shaft dia. $\phi 12$ Lead 2mm

C5



Unit: mm

Ball Screw Specifications		
Ball size	$\phi 1.2$	
Number of thread	1	
Thread direction	Right	
Shaft root dia.	$\phi 11.0$	
Number of circuit	1×3	
Material	Shaft	S55C+SUS303
	Nut	SCM415H
Surface hardness	HRC58~ (Thread area)	
Lubrication	KSS Original Grease MSG No.2	

Supported-side end-journal profile			
A-type	B-type	C-type	
L5: Thread length after end-journal machining. L6: Total length after end-journal machining.			
Support-unit Recommendation		Supported-side	—
		Fixed-side	—
D-type : Other than the above.			

Unit: mm

Ball Screw Model	Travel	Shaft length				Travel deviation e_p	Total Run-out	Axial play	Basic Load Rating N	
		L1	L2	L3	L4				Dynamic Ca	Static Coa
PSRT1202K-271R330C5	245	271	275	285	330	± 0.023	0.065	~ 0.005	1600	3700

Note) Please refer to page A321 for order code of end-journal machining.