

ASN 28 Series Semi-Telescopic Linear Guide

This is a semi telescopic product (as shown in drawing to the right). Larger rail is mounted to fixed structure. Smaller rail is mounted to moving structure.

In operation the moving structure will freely move (stroke out) as shown.

Load Capacities are for a single rail assembly.

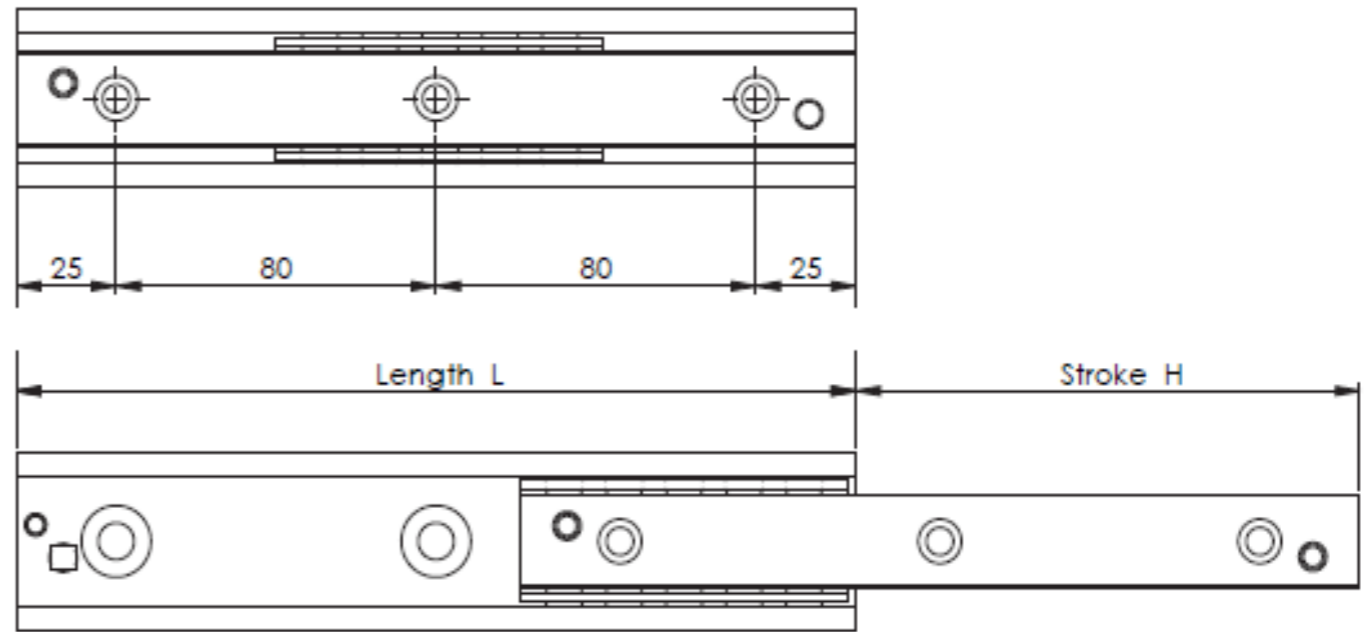
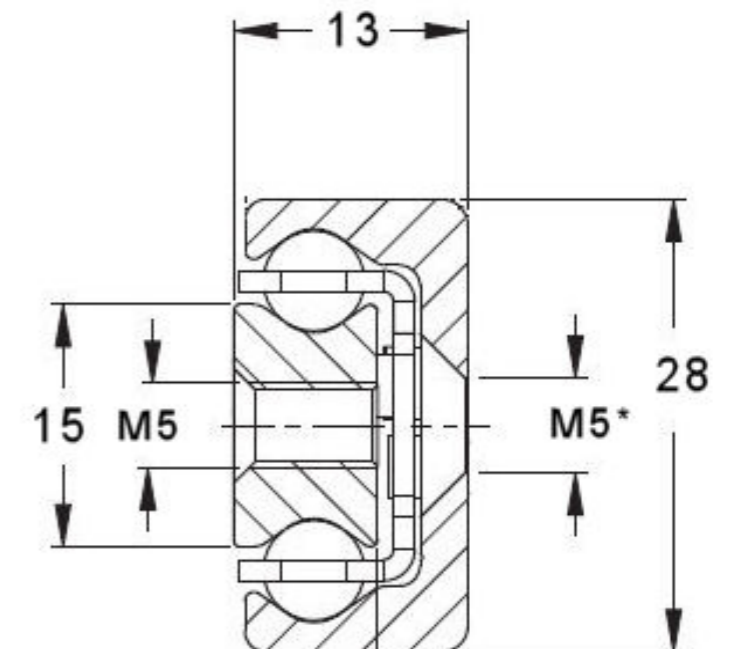


Table in Imperial (English) Units

	Part Number	Closed Length - L (inch)	Stroke Out - H (inch)	Static Rad. Load Cap. (lbf)	Static Axial Load Cap. (lbf)	No. of bolt holes	Net Wt. (lbf)
1	ASN28-0130-74	5.1	2.9	138	96	2	0.7
2	ASN28-0210-116	8.3	4.6	251	176	3	0.9
3	ASN28-0290-148	11.4	5.8	435	304	4	1.3
4	ASN28-0370-190	14.6	7.5	550	385	5	1.5
5	ASN28-0450-232	17.7	9.1	664	465	6	2
6	ASN28-0530-274	20.9	10.8	779	545	7	2.4
7	ASN28-0610-316	24	12.4	894	626	8	2.6
8	ASN28-0690-358	27.2	14.1	1009	706	9	3.1
9	ASN28-0770-400	30.3	15.7	1123	786	10	3.5
10	ASN28-0850-433	33.5	17	1310	917	11	3.7
11	ASN28-0930-475	36.6	18.7	1425	997	12	4.2
12	ASN28-1010-517	39.8	20.4	1539	1078	13	4.4
13	ASN28-1090-553	42.9	21.8	1654	1158	14	4.8
14	ASN28-1170-601	46.1	23.7	1769	1238	15	5.3

Units: mm



*Countersunk Thru Hole for Flat Head Fastener

Product End View