

## ASN 28 Series Semi-Telescopic Linear Guide

This is a semi telescopic product (as shown in drawing to the right). Larger rail is mounted to fixed structure. Smaller rail is mounted to moving structure.

In operation the moving structure will freely move (stroke out) as shown.

**Load Capacities** are for a single rail assembly.

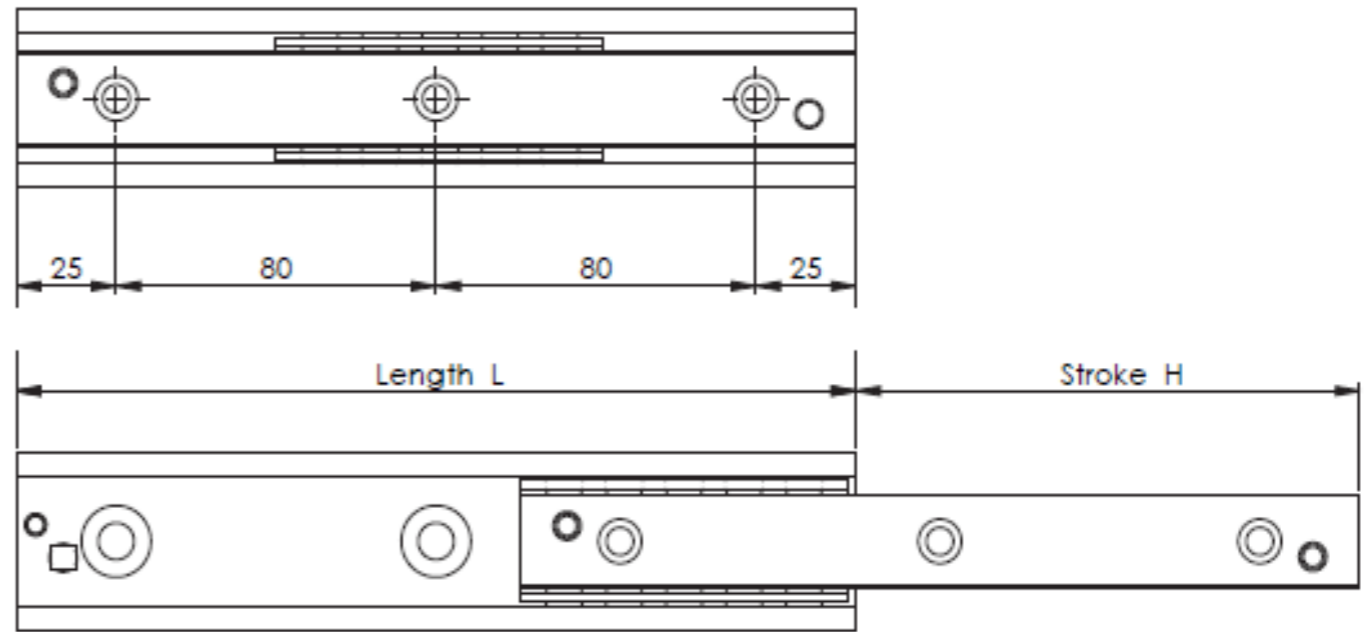
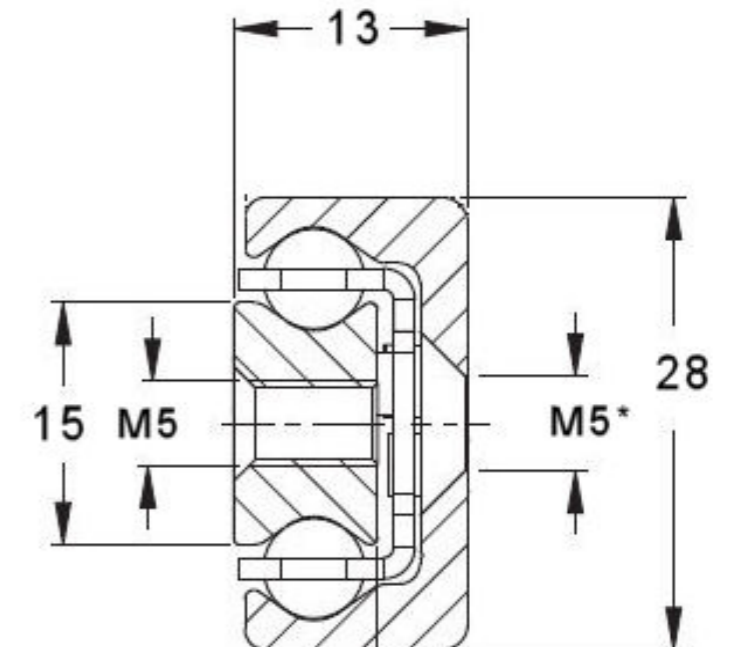


Table in Metric Units

|    | <b>Part Number</b> | <b>Closed Length - L (mm)</b> | <b>Stroke Out - H (mm)</b> | <b>Static Rad. Load Cap. (N)</b> | <b>Static Axial Load Cap. (N)</b> | <b>No. of bolt holes</b> | <b>Net Wt. (kg)</b> |
|----|--------------------|-------------------------------|----------------------------|----------------------------------|-----------------------------------|--------------------------|---------------------|
| 1  | ASN28-0130-74      | 130                           | 74                         | 613                              | 429                               | 2                        | 0.3                 |
| 2  | ASN28-0210-116     | 210                           | 116                        | 1116                             | 781                               | 3                        | 0.4                 |
| 3  | ASN28-0290-148     | 290                           | 148                        | 1934                             | 1354                              | 4                        | 0.6                 |
| 4  | ASN28-0370-190     | 370                           | 190                        | 2445                             | 1711                              | 5                        | 0.7                 |
| 5  | ASN28-0450-232     | 450                           | 232                        | 2955                             | 2069                              | 6                        | 0.9                 |
| 6  | ASN28-0530-274     | 530                           | 274                        | 3466                             | 2426                              | 7                        | 1.1                 |
| 7  | ASN28-0610-316     | 610                           | 316                        | 3976                             | 2783                              | 8                        | 1.2                 |
| 8  | ASN28-0690-358     | 690                           | 358                        | 4487                             | 3141                              | 9                        | 1.4                 |
| 9  | ASN28-0770-400     | 770                           | 400                        | 4997                             | 3498                              | 10                       | 1.6                 |
| 10 | ASN28-0850-433     | 850                           | 433                        | 5828                             | 4080                              | 11                       | 1.7                 |
| 11 | ASN28-0930-475     | 930                           | 475                        | 6338                             | 4436                              | 12                       | 1.9                 |
| 12 | ASN28-1010-517     | 1010                          | 517                        | 6848                             | 4793                              | 13                       | 2                   |
| 13 | ASN28-1090-553     | 1090                          | 553                        | 7358                             | 5150                              | 14                       | 2.2                 |
| 14 | ASN28-1170-601     | 1170                          | 601                        | 7868                             | 5507                              | 15                       | 2.4                 |

Units: mm



\*Countersunk Thru Hole for Flat Head Fastener

Product End View