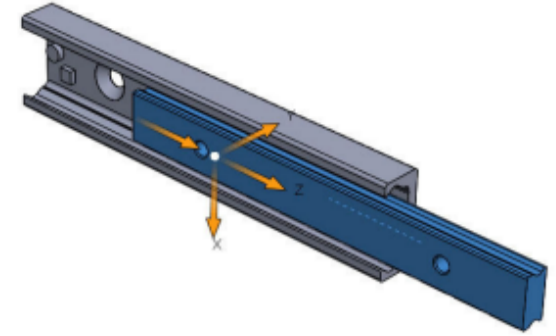


ASN 43 Series Semi-Telescopic Linear Guide

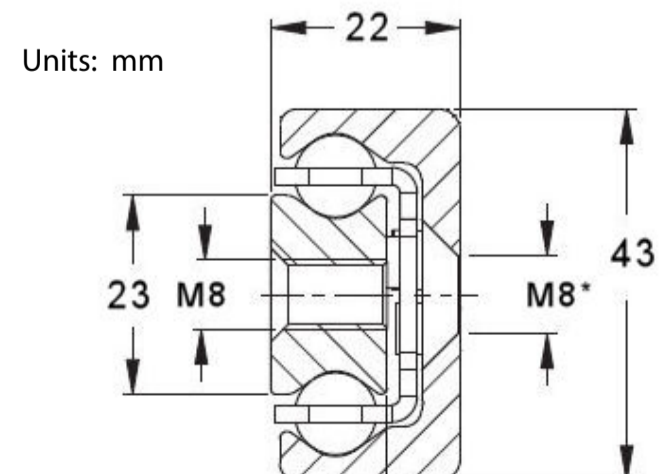
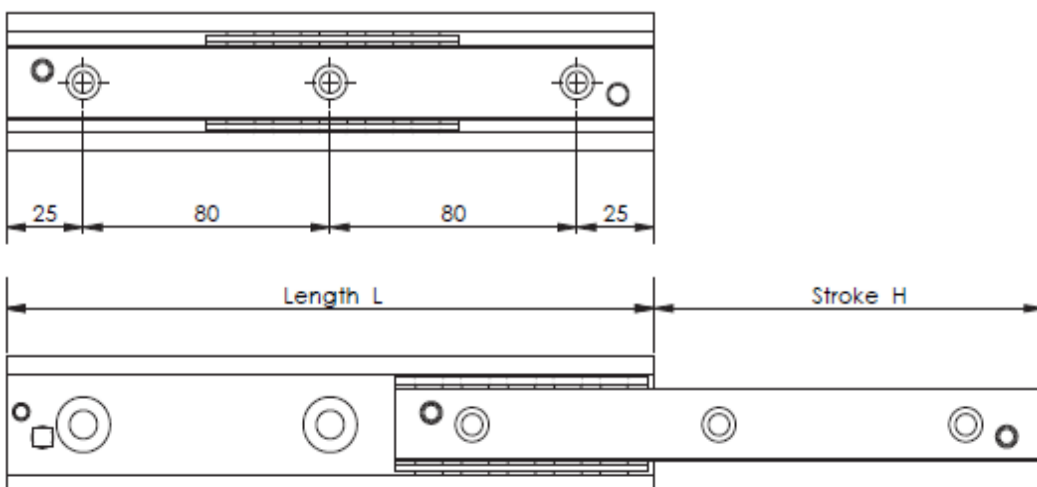
This is a semi telescopic product (as shown in drawing near bottom of the page). Larger rail is mounted to fixed structure. Smaller rail is mounted to moving structure. In operation the moving structure will freely move (stroke out) as shown.



Load Capacities are for a single rail assembly.

Table in Imperial (English) Units

	Part Number	Closed Length - L (inch)	Stroke Out - H (inch)	Static Rad. Load Cap. (lbf)	Static Axial Load Cap. (lbf)	No. of bolt holes	Net Wt. (lbf)
1	ASN43-0210-123	8.3	4.8	359	251	3	2.4
2	ASN43-0290-158	11.4	6.2	646	452	4	3.3
3	ASN43-0370-208	14.6	8.2	759	531	5	4.2
4	ASN43-0450-243	17.7	9.6	1054	738	6	5.3
5	ASN43-0530-278	20.9	10.9	1358	950	7	6.2
6	ASN43-0610-313	24	12.3	1666	1166	8	7.1
7	ASN43-0690-363	27.2	14.3	1768	1237	9	7.9
8	ASN43-0770-398	30.3	15.7	2075	1453	10	8.8
9	ASN43-0850-433	33.5	17	2386	1671	11	9.9
10	ASN43-0930-483	36.6	19	2485	1740	12	10.8
11	ASN43-1010-518	39.8	20.4	2795	1957	13	11.7
12	ASN43-1090-568	42.9	22.4	2895	2026	14	12.6
13	ASN43-1170-603	46.1	23.7	3204	2243	15	13.4
14	ASN43-1250-638	49.2	25.1	3516	2461	16	14.5
15	ASN43-1330-688	52.4	27.1	3614	2530	17	15.4
16	ASN43-1410-723	55.5	28.5	3924	2747	18	16.3
17	ASN43-1490-758	58.7	29.8	4237	2965	19	17.2
18	ASN43-1570-793	61.8	31.2	4550	3185	20	18.1
19	ASN43-1650-843	65	33.2	4645	3251	21	19.2
20	ASN43-1730-878	68.1	34.6	4957	3470	22	20.1
21	ASN43-1810-928	71.3	36.5	5053	3538	23	20.9
22	ASN43-1890-963	74.4	37.9	5366	3756	24	21.8
23	ASN43-1970-1013	77.6	39.9	5462	3824	25	22.7



*Countersunk Thru Hole for Flat Head Fastener