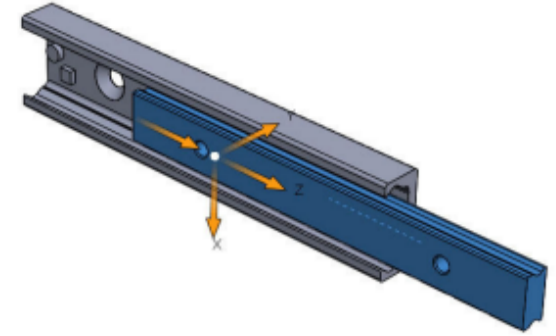


ASN 43 Series Semi-Telescopic Linear Guide

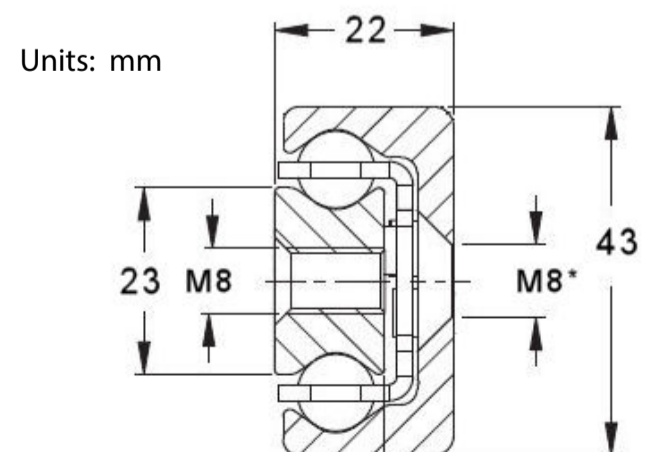
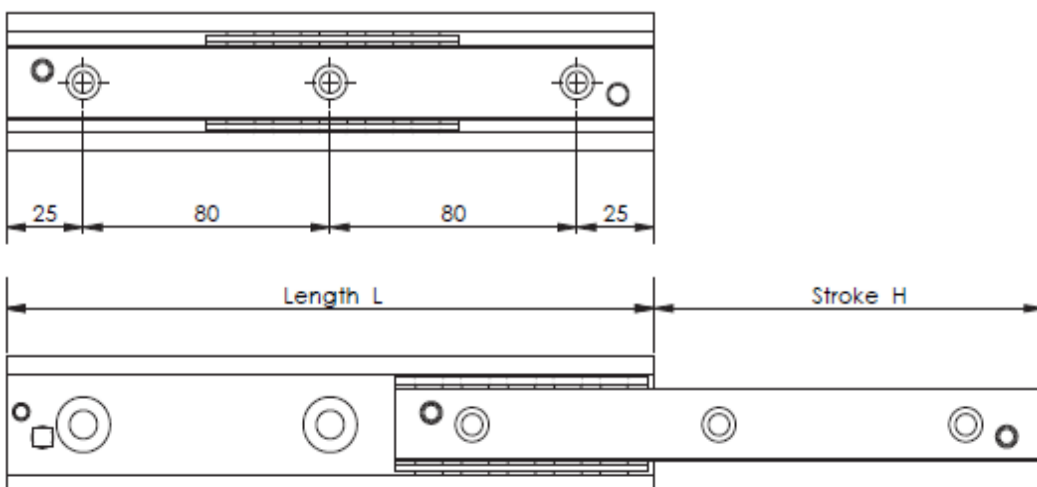
This is a semi telescopic product (as shown in drawing near bottom of the page). Larger rail is mounted to fixed structure. Smaller rail is mounted to moving structure. In operation the moving structure will freely move (stroke out) as shown.



Load Capacities are for a single rail assembly.

Table in Metric Units

	Part Number	Closed Length - L (mm)	Stroke Out - H (mm)	Static Rad. Load Cap. (N)	Static Axial Load Cap. (N)	No. of bolt holes	Net Wt. (kg)
1	ASN43-0210-123	210	123	1595	1117	3	1.1
2	ASN43-0290-158	290	158	2872	2010	4	1.5
3	ASN43-0370-208	370	208	3377	2364	5	1.9
4	ASN43-0450-243	450	243	4690	3283	6	2.4
5	ASN43-0530-278	530	278	6039	4227	7	2.8
6	ASN43-0610-313	610	313	7411	5188	8	3.2
7	ASN43-0690-363	690	363	7863	5504	9	3.6
8	ASN43-0770-398	770	398	9232	6463	10	4
9	ASN43-0850-433	850	433	10615	7431	11	4.5
10	ASN43-0930-483	930	483	11054	7738	12	4.9
11	ASN43-1010-518	1010	518	12434	8704	13	5.3
12	ASN43-1090-568	1090	568	12877	9014	14	5.7
13	ASN43-1170-603	1170	603	14254	9978	15	6.1
14	ASN43-1250-638	1250	638	15638	10947	16	6.6
15	ASN43-1330-688	1330	688	16075	11252	17	7
16	ASN43-1410-723	1410	723	17456	12219	18	7.4
17	ASN43-1490-758	1490	758	18845	13191	19	7.8
18	ASN43-1570-793	1570	793	20238	14167	20	8.2
19	ASN43-1650-843	1650	843	20661	14463	21	8.7
20	ASN43-1730-878	1730	878	22052	15436	22	9.1
21	ASN43-1810-928	1810	928	22479	15736	23	9.5
22	ASN43-1890-963	1890	963	23867	16707	24	9.9
23	ASN43-1970-1013	1970	1013	24298	17009	25	10.3



*Countersunk Thru Hole for Flat Head Fastener